

## 7707L LARGE DIAMETER COUPLING



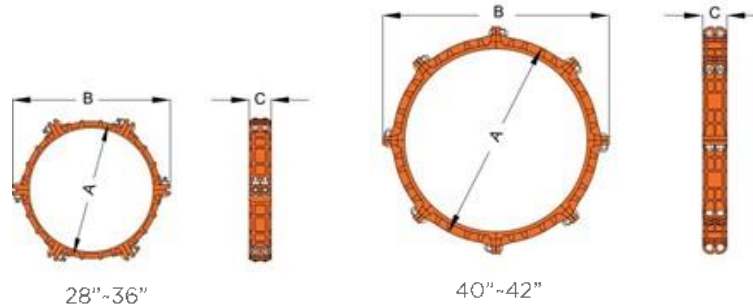
The Shurjoint Model 7707L large diameter couplings in sizes 28" - 42" / 700 mm - 1050 mm are designed for joining large diameter IPS pipe that can be roll grooved. All couplings feature a six to eight segment design, incorporating two bolts at each segment joint to ensure a positive connection and seal.



7707L couplings should always be installed so that the coupling bolt pads make metal to metal contact.

### material specification

- **Housing:**  
Ductile Iron to ASTM A536, Gr. 65-45-12, min. tensile strength 65,000 psi (448 MPa).
- **Surface Finish:**  
Standard painted finishes in orange.
  - Hot dip zinc galvanized (Option).
 For additional details contact Shurjoint.
- **Rubber Gasket:**  
Grade "E" EPDM (Color code: Green stripe) Good for cold & hot water up to +230°F (+110°C). Also good for services for water with acid, water with chlorine or chloramines, deionized water, seawater and waste water, dilute acids, oil-free air and many chemicals. Not recommended for petroleum oils, minerals oils, solvents and aromatic hydrocarbons.  
Maximum Temperature Range: -30°F (-34°C) to +230°F (+110°C)\*.  
\*EPDM gaskets for water services are not recommended for steam services unless couplings or components are accessible for frequent gasket replacement.
  - Other options: Grade "T" - Nitrile  
Grade "O" - Fluoroelastomer.  
Grade "L" - Silicone.
 For additional details contact Shurjoint.
- **Bolts & Nuts:**  
Heat treated carbon manganese steel track bolts to ASTM A449-83a (or A183 Gr. 2), minimum tensile strength 110,000 psi (758 MPa), Zinc electroplated, with heavy-duty hexagonal nuts to ASTM A563. Plain washers are always supplied for epoxy coated couplings.
  - Type 304 or 316 track bolts with heavy duty nuts (Option)



Model 7707L Large Diameter Coupling

Nominal Size	Pipe O.D.	Max. Working Pressure (CWP)*	Max. End Load (CWP)	Axial Displacement†	Angular Movement***		Dimensions			Bolt		Weight
					Per Coupling	Per Pipe	A	B	C	No	Size	
					Deg.(°)	in/ft	in	in	in		in	
28	28.0	175	107700	0.250	---	---	32.0	35.98	5.0	12	3/8 x 4	180
700	711.2	12	476.47	6.4	---	---	813	914	127	12	3/8 x 4	82
30	30.0	175	123630	0.250	---	---	34.0	38.07	5.0	12	3/8 x 4	209
750	762.0	12	546.97	6.4	---	---	864	967	127	12	3/8 x 4	95
32	32.0	175	140670	0.250	---	---	36.0	40.08	5.0	12	3/8 x 4	207
800	812.8	12	622.33	6.4	---	---	914	1018	127	12	3/8 x 4	94
34	34.0	175	158800	0.250	---	---	38.3	42.00	5.0	12	3/8 x 4	198
850	863.6	12	702.55	6.4	---	---	974	1066	127	12	3/8 x 4	90
36	36.0	175	178030	0.250	---	---	40.0	44.02	5.0	12	3/8 x 4	212
900	914.4	12	787.63	6.4	---	---	1016	1118	127	12	3/8 x 4	96
40	40.0	175	219800	0.250	---	---	43.5	49.49	5.4	16	1 x 3 1/2	271
1000	1016.0	12	972.39	6.4	---	---	1105	1257	138	16	1 x 3 1/2	123
42	42.0	175	242330	0.250	---	---	45.5	51.57	5.4	16	1 x 3 1/2	313
1050	1066.8	12	1072.05	6.4	---	---	1156	1310	138	16	1 x 3 1/2	142

\* Working pressure is based on roll-grooved standard wall carbon steel pipe.

† Allowable Axial Displacement and Angular Movement (deflection) figures are for roll grooved standard steel pipe. Values for cut grooved pipe will be double that of roll grooved. These values are maximums; for design and installation purposes these figures should be reduced by: 50% for 3/8" – 3 1/2"; 25% for 4" and larger to compensate for jobsite conditions.

General note

- Maximum Working Pressure (CWP) listed is the maximum cold water pressure for general piping services tested to ASTM F1476 and or AWWA C606 methods. Figures listed are based on roll or cut grooved standard wall carbon steel pipe. For other pipe schedules or pipe materials, contact Shurjoint for additional information.
- Max. End Load is calculated based on the maximum working pressure (CWP).
- Listed and or Approved Pressures are pressure ratings for fire protection systems, tested and approved by various approval bodies. Please always refer to the latest approval data posted on the Shurjoint website.
- Field Joint Test: For one time only, the system may be tested hydrostatically at 1 1/2 times the maximum working pressure listed (AWWA C606 5.2.3).
- Warning: Piping systems must always be depressurized and drained before attempting disassembly and or removal of any components.
- The 10 Year Limited Warranty applies to manufacturing defects only and does not cover severe service/temperature applications or wear parts.
- Shurjoint reserves the right to change specifications, designs and or standard without notice and without incurring any obligations.